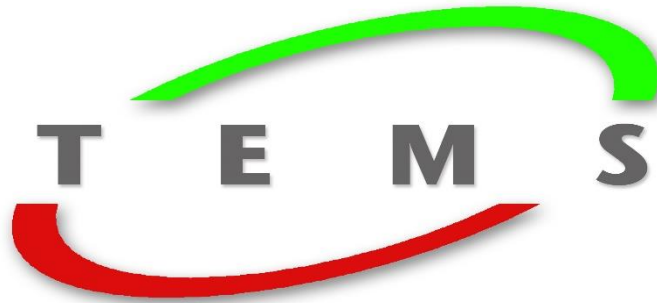




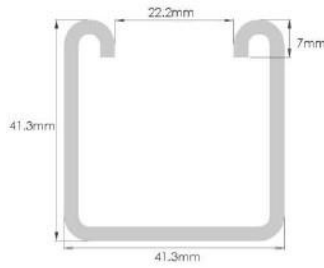
TOTAL ENGINEERING AND MINING SUPPLIES PTY LTD



TOTAL ENGINEERING AND MINING SUPPLIES PTY LTD



TOTAL ENGINEERING AND MINING SUPPLIES PTY LTD



Mild Steel & Hot Dip Galvanised to AS/NZS1365, AS1594, AS/NZS4680

Material Thickness:

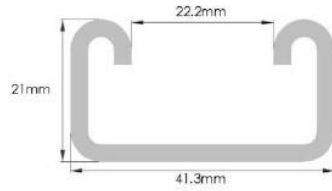
2.5mm

Length: 3mtr and 6mtr

Slotting Details

28 x 14mm slots are punched continuously at 50mm centres

Part Number	Description	Size	Grade
SCCGB414103	Slotted Channel Pre-Gal 41 x 41 x 2.5mm x 3mtr	3	Pre-Gal
SCCGB414106	Slotted Channel Pre-Gal 41 x 41 x 2.5mm x 6mtr	6	Pre-Gal
SCCHDG414103	Slotted Channel HDG 41mm x 41mm x 2.5mm - 3m	3	HDG
SCCHDG414106	Slotted Channel HDG 41mm x 41mm x 2.5mm - 6m	6	HDG
SCC316414106	Slotted Channel 316 S/S 41mm x 41mm x 2.5mm - 6mtr	6	316 S/S



Mild Steel & Hot Dip Galvanised to AS/NZS1365, AS1594, AS/NZS4680

Material Thickness: 2.5mm

Length:

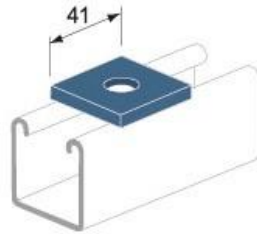
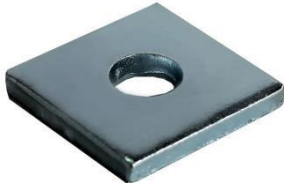
6m

Slotting Details

28 x 14mm slots are punched continuously at 50mm centres

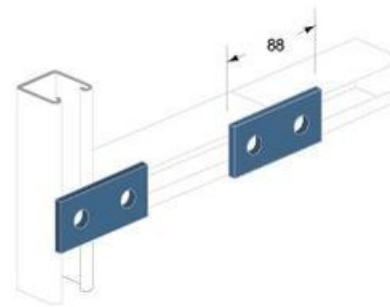
Part Number	Description	Size	Grade
SCCHDG412103	Slotted Channel HDG 41mm x 21mm x 2.5mm - 3m	3	HDG
SCCHDG414106	Slotted Channel HDG 41mm x 21mm x 2.5mm - 6m	6	HDG

SQUARE WASHER



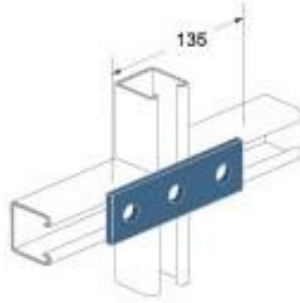
Part Number	Description	Hole Dia
SQW40403M08G	M8 Square Washer	9mm
SQW40403M10G	M10 Square Washer	11mm
SQW40403M12G	M12 Square Washer	14mm

2 HOLE FLAT PLATE BRACKET



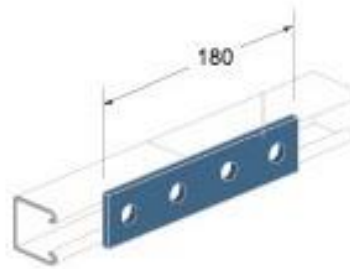
Part Number	Description	Hole Dia
FPBMG1002HLE	M10 2 Hole Flat Plate Bracket	11mm
FPBMG1202HLE	M12 2 Hole Flat Plate Bracket	14mm

3 HOLE FLAT PLATE BRACKET



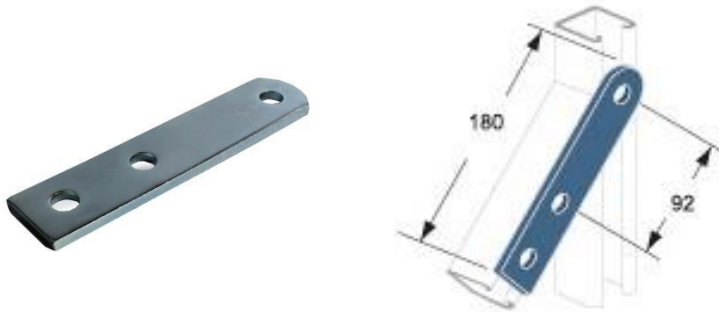
Part Number	Description	Hole Dia
FPBMG1003HLE	M10 3 Hole Flat Plate Bracket	11mm
FPBMG1203HLE	M12 3 Hole Flat Plate Bracket	14mm

4 HOLE FLAT PLATE BRACKET



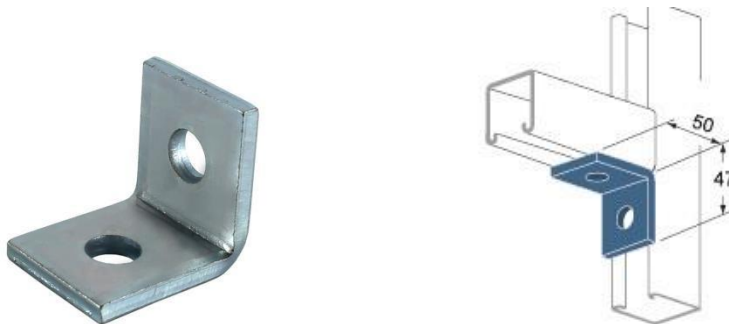
Part Number	Description	Hole Dia
FPBMG1004HLE	M10 4 Hole Flat Plate Bracket	11mm
FPBMG1204HLE	M12 4 Hole Flat Plate Bracket	14mm

3 HOLE FLAT BRACKET ROUNDED



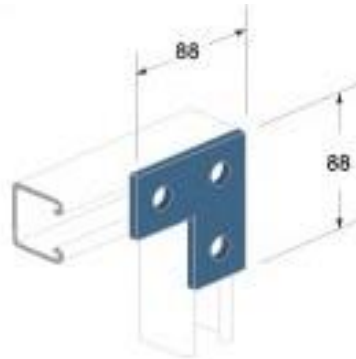
Part Number	Description	Hole Dia
FPRBMG1003HLE	M10 3 Hole Flat Bracket Rounded	11mm
FPRBMG1203HLE	M12 3 Hole Flat Bracket Rounded	14mm

2 HOLE 90° ANGLE BRACKET



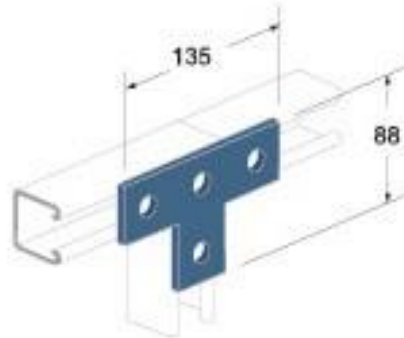
Part Number	Description	Hole Dia
AB90MZ10	2 Hole M10 90° Angle Bracket	11mm
AB90MZ12	2 Hole M12 90° Angle Bracket	14mm

3 HOLE L CHANNEL BRACKET



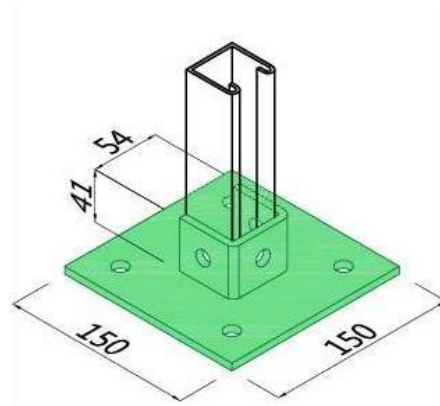
Part Number	Description	Hole Dia
FPBLMG10SHLE	3 Hole M10 L Channel Bracket	11mm
FPBLMG123HLE	3 Hole M12 L Channel Bracket	14mm

4 HOLE T CHANNEL BRACKET



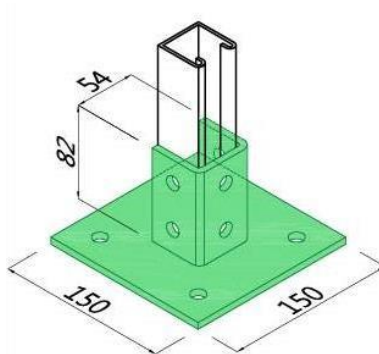
Part Number	Description	Hole Dia
FPBTMG1004HLE	4 Hole M10 T Channel Bracket	11mm
FPBTMG1204HLE	4 Hole M12 T Channel Bracket	14mm

1 HOLE SINGLE CHANNEL 41 BASE PLATE



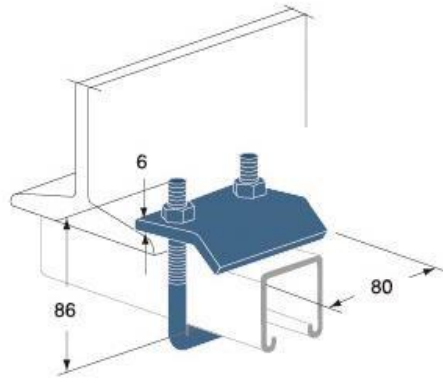
Part Number	Description	Hole Dia
BPM10150041	M10 1 Hole Single Channel Base Plate	11mm
BPM12150041	M12 1 Hole Single Channel Base Plate	14mm

2 HOLE DOUBLE CHANNEL 41 BASE PLATE



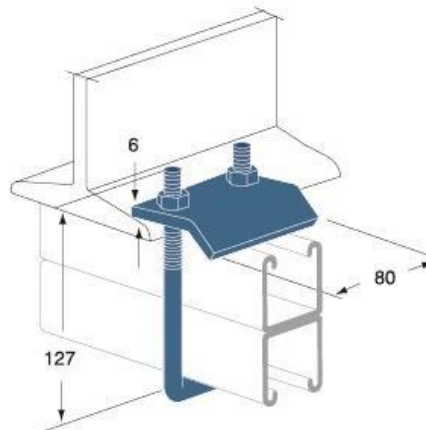
Part Number	Description	Hole Dia
BPM10150082	M10 2 Hole Single Channel Base Plate	11mm
BPM12150082	M12 2 Hole Single Channel Base Plate	14mm

U BOLT CLAMP



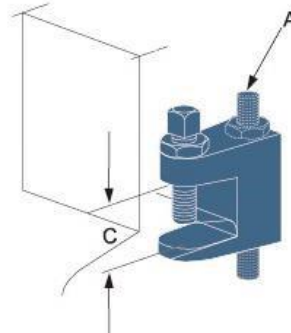
Part Number	Description	Hole Dia
UBOLTCLMPSQMG10	U Bolt Clamp	11mm

U BOLT CLAMP



Part Number	Description	Hole Dia
UBOLTCLMPLSQMG10	U Bolt Clamp	11mm

BEAM CLAMP



Part No.	"A" (mm)	"C" (mm)	Design Load
BC-25-10	11	23	2.2
BC-25-12	13	26	3.1

Part Number	Description	Hole Dia
BCRHM10ZP	M10 Beam Clamp	11mm
BCRHM12ZP	M12 Beam Clamp	13mm

WALL MOUNT PLATES



Part Number	Description	Hole Dia
VMP10	M10 Vertical Mount Plate	11mm
HMP10	M10 Horizontal Mount Plate	11mm
SMP10	M10 Straight Up Mount Plate	11mm

PURLIN CLIP

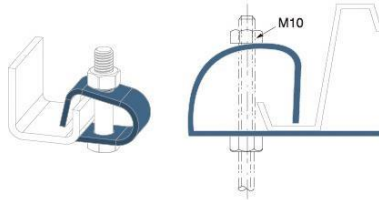
Finish: Zinc



'Z' M10 Purlin Clip
'C' M10 Purlin Clip



C Type

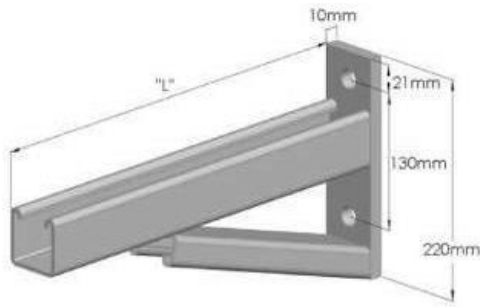


Z Type

Standard Length

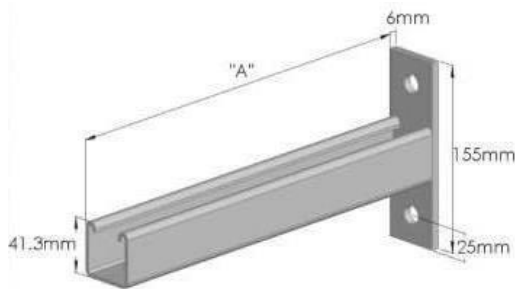
Part Number	Description
PCMZ1000001	M10 "Z" Purlin Clip Zinc Plated

HDG Braced Cantilever Bracket Kits



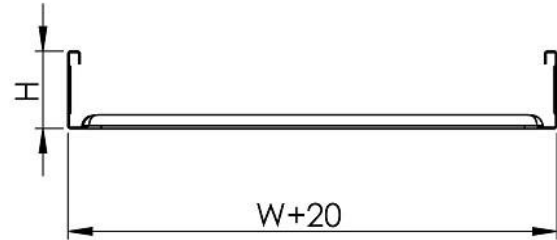
Part Number	Description	Size
BCBHGDG4141320	HDG Braced Cantilever Bracket (Kit)	320mm
BCBHGDG4141460	HDG Braced Cantilever Bracket (Kit)	460mm
BCBHGDG4141635	HDG Braced Cantilever Bracket (Kit)	635mm

HDG Unbraced Cantilever Bracket Kits



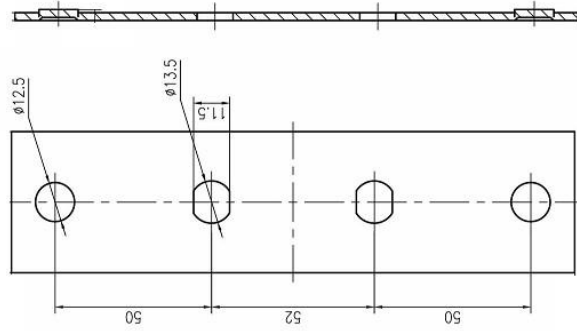
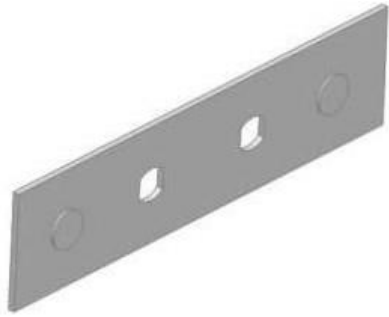
Part Number	Description	Size	EAN Barcode
UBCBHDG41350	HDG Unbraced Cantilever Bracket (Kit)	350mm	0748079728622
UBCBHDG41500	HDG Unbraced Cantilever Bracket (Kit)	500mm	0748079728639
UBCBHDG41660	HDG Unbraced Cantilever Bracket (Kit)	660mm	0748079728646
UBCBHDG41780	HDG Unbraced Cantilever Bracket (Kit)	780mm	0748079728653

CABLE TRAY TT3



Part Number	Description	Size
TT3-150GB	Cable Ladder Tray TT3 150 GB	150mm x 50mmX3mx0.75mm
TT3-300GB	Cable Ladder Tray TT3 300 GB	300mm x 50mmX3mx0.75mm
TT3-450GB	Cable Ladder Tray TT3 450 GB	450mm x 50mmX3mx0.75mm
TT3-600GB	Cable Ladder Tray TT3 600 GB	600mm x 50mmX3mx0.75mm

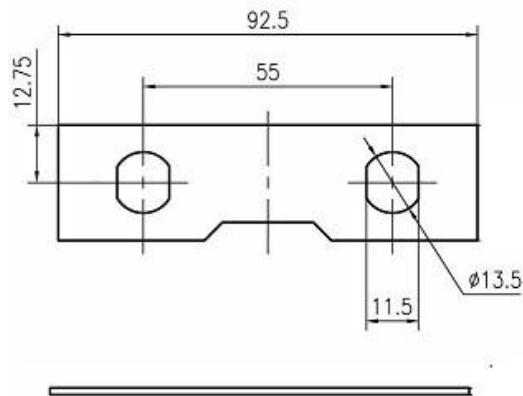
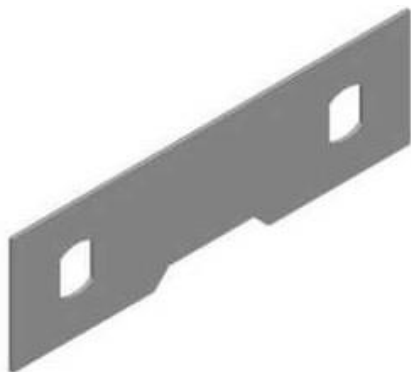
SPLICE PLATE



TRAY ACCESSORIES

Part Number	Description	Size
TT3-FPGB	Splice Plate	180*45*2.5t

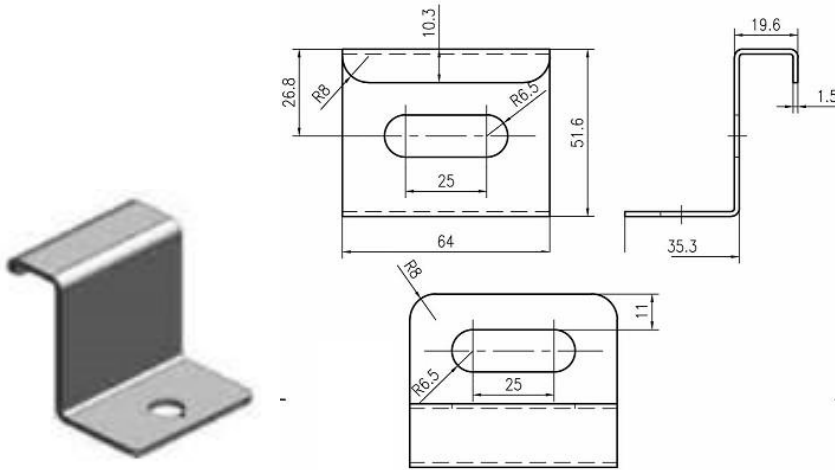
RISER LINK



TRAY ACCESSORIES

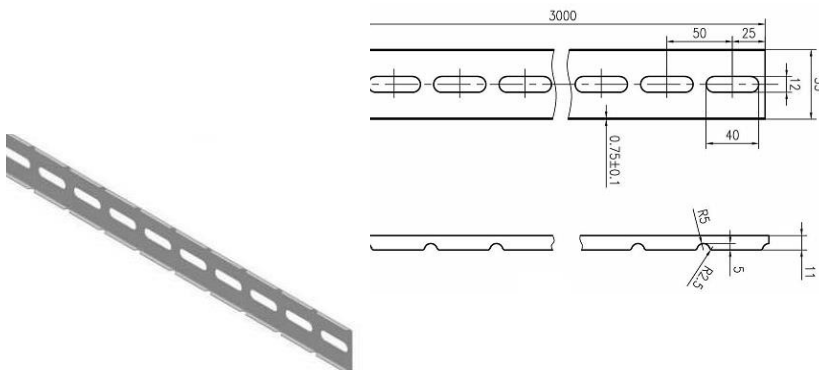
Part Number	Description	Size
TT3-RLPGB	Riser Link	92.5*25.5*1.5t

HOLD DOWN CLAMP



TRAY ACCESSORIES

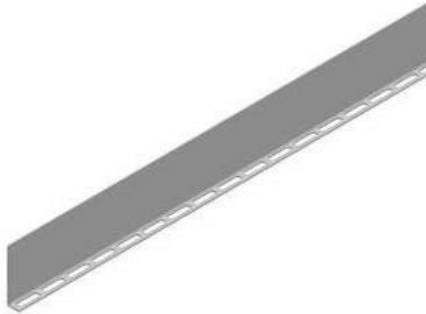
Part Number	Description	Size
CBTHDCGB	Hold Down Clamp	64*51.6*1.5t



TRAY ACCESSORIES

Part Number	Description	Size
TT3-RPGB	Radius Plate	3000*53

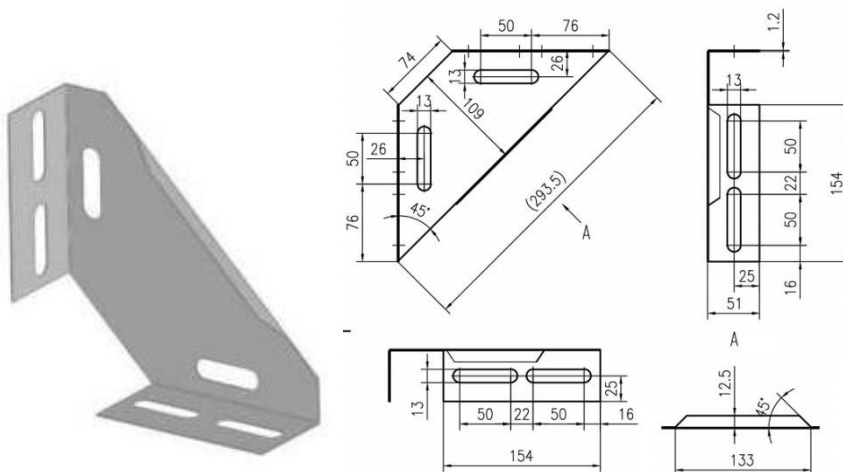
BARRIER STRIP



TRAY ACCESSORIES

Part Number	Description	Size
TT3-BSGB	Barrier Strip	3000*53*0.7t

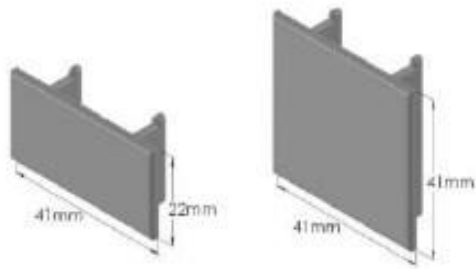
TEE AND CROSS BARRIER



TRAY ACCESSORIES

Part Number	Description	Size
T3TTX	Tee and Cross Barrier	292*107*1.2t

PLASTIC END CAP



Part Number	Description	Size
PEC4141	41x41 Plastic End Cap	41 x 41
PEC4121	41x21 Plastic End Cap	41 x 21