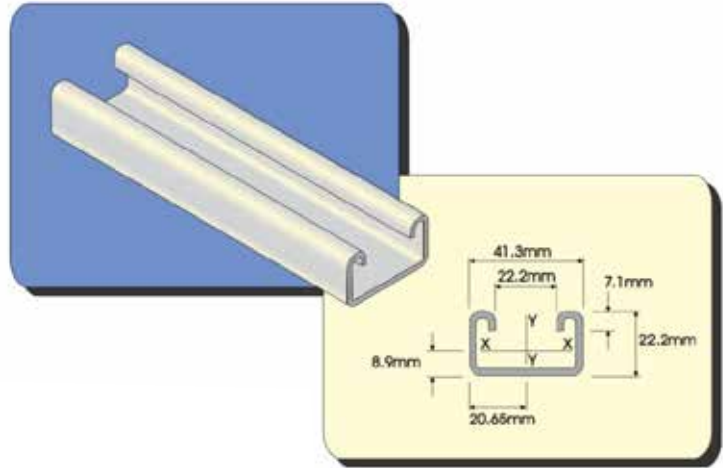




Cable Channels

For all order enquiries
call **07 3801 8885**

temsupplies.com.au



FM3300 Channels

SECTION PROPERTIES			X-X AXIS			Y-Y AXIS		
CHANNEL	WEIGHTkg/m	AREA of SECTION mm ² mm	MOMENT of INERTIA I 106 mm ⁴	SECTION MODULUS Z 103 mm ²	RADIUS of GYRATION r mm	MOMENT of INERTIA I 106 mm ⁴	SECTION MODULUS Z 103 mm ³	RADIUS of GYRATION r mm
FM3300	1.83	233	0.013	1.000	7.6	0.056	2.662	15.4
FM3301	3.66	466	0.064	2.843	11.6	0.111	5.331	15.4

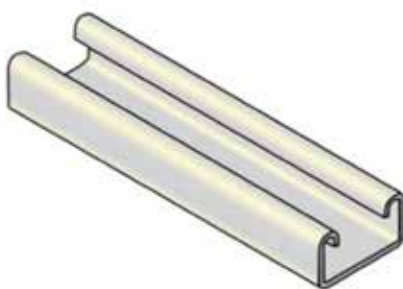
WEIGHT: 1.83kg/m

THICKNESS: 2.5mm

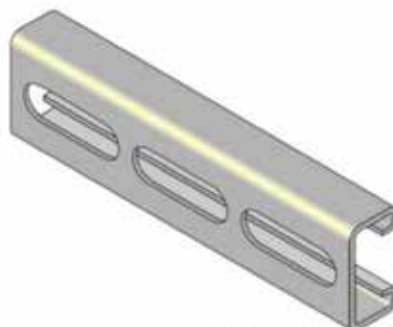
MATERIAL: 250MPa (min yield stress) mild steel

FINISHES: Plain, Galvabond, Hot Dipped Galvanised, Polyester Powder Coated.

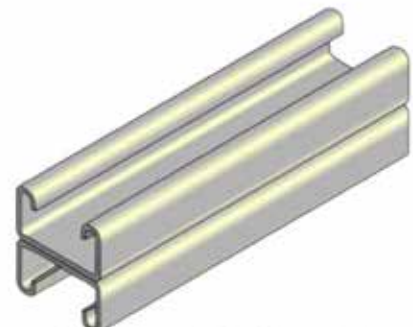
(Other finishes available on request)



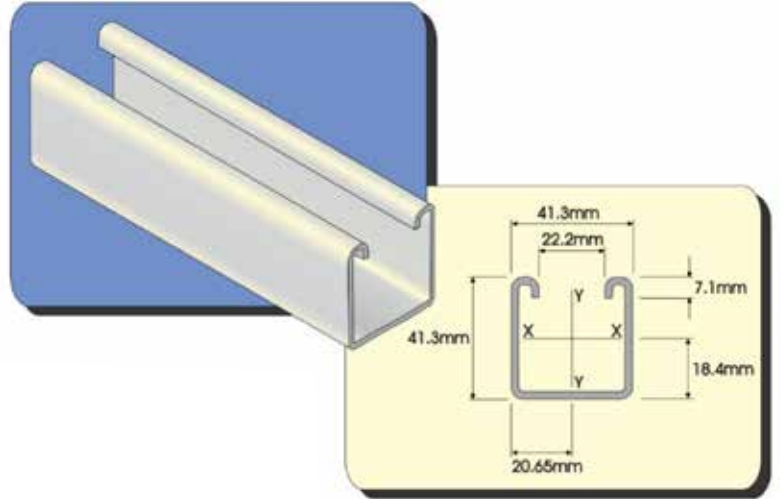
FM3300



FM3300T



FM3300 CHANNEL COMBINATIONS



FM1000 Channels

SECTION PROPERTIES			X-X AXIS			Y-Y AXIS		
CHANNEL	WEIGHTkg/m	AREA of SECTION mm ² mm	MOMENT of INERTIA I 106 mm ⁴	SECTION MODULUS Z 103 mm ³	RADIUS of GYRATION r mm	MOMENT of INERTIA I 106 mm ⁴	SECTION MODULUS Z 103 mm ³	RADIUS of GYRATION r mm
FM1000	2.60	331	.070	2.925	14.5	0.093	4.452	16.7
FM1001	5.20	662	.319	7.715	22.1	0.186	8.904	16.7

WEIGHT: 2.60kg/m

THICKNESS: 2.5mm

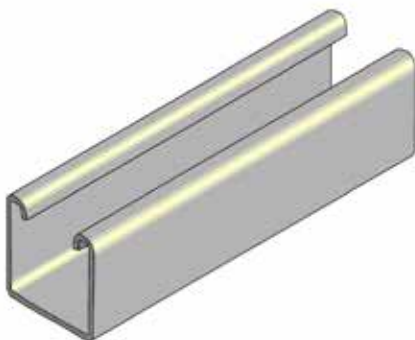
MATERIAL: 250MPa (min yield stress) mild steel

UNIT OF MEASURE: Metre

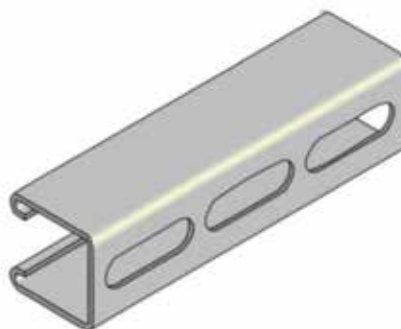
FINISHES: Plain, Galvabond, Hot Dipped Galvanised, Polyester Powder Coated, 316 GR Stainless Steel.

(Other finishes available on request) FM1000T – 14mm x 30mm Slots at approx. 50mm centres.

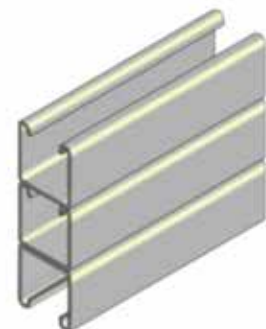
LOAD VALUES SHOULD BE CALCULATED UTILISING AS/NZS 4600 COLD FORMED STEEL STRUCTURES CODE



FM1000



FM1000T



FM1000 CHANNEL COMBINATIONS